

2 WAY SWITCH

Description

Wretro 2 Way Switch is a fully digital communication switch aesthetically designed for comfort and convenience. 2 Way Switch allows you to operate a single Appliance/load from two different locations via physical touch, mobile app, and voice (Alexa and Google Home). Trendy touch screen panels are sleek and elegant meant for the millennial lifestyle.

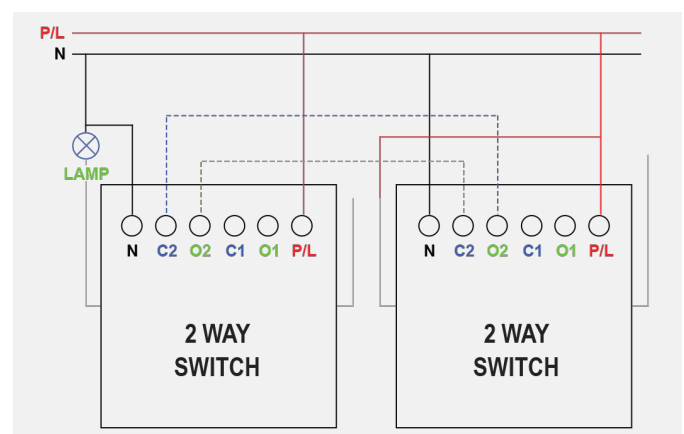
Main Features

- Stylish Design.
- Capacitive Touch.
- Ultra-Low standby power consumptions.
- Resistive Load: 450W.
- Smart Touch Switches can be operated via Touch/ App / Voice.
- New generation three-way communication device that can penetrate in Modular electrical plates with the fast response speed.
- High reliability and strong anti-interference capability
- Tested Switching Cycles: 1,00,000

Technical Parameters

Power Supply	110 - 250V AC,50/60Hz
Standby Power Consumption	≤30mW
Wireless Operating Frequency	2400MHz
Wireless Transmit Power	~20dbm
Incandescent Lamp	450W
Dimensions (L * W * H)	44mm/49mm/50mm
Working Temperature	10° to70°C
Weight :	75 grams

Product Wiring Diagram



Please Note

- 1) Please hire professional electrician to install or disassemble the switches.
- 2) The power must be cut off be for installing or disassembling.
- 3)The modules are for bidden to be installed in out door sand other humid environments.