

Smart RF Socket - White

WR-7401-SS-W



Description

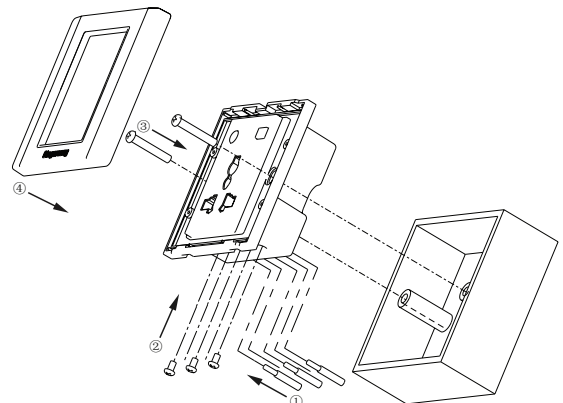
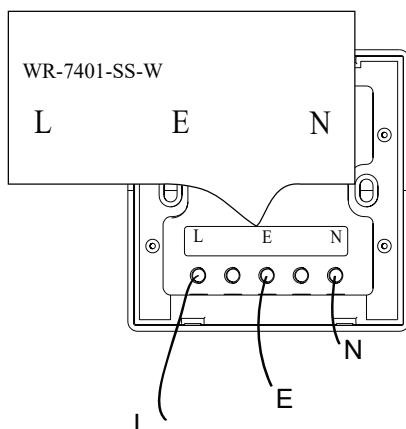
Wretro Smart RF Socket is a four-way fully digital communication smart switch which allows you to operate appliance connected to socket by changing on-off state of the socket with the help of Wretro's remote and mobile app. You can schedule appliance like geysers , oxygen machine for fish tanks and so on.

LIVE SIMPLE
LIVE SMART

Main Features

- 1) On-off control.
- 2) Maximum current: 10A .
- 3) New generation four-way communication device that can penetrate the walls with fast response speed.
- 4) High reliability and strong anti-interference capability.
- 5) Built in Button for on/off the Smart Socket.
- 6) Can be used with Smart Rf remote control / App / Voice Control.
- 7) The shell is made by high quality environmental protection flame retardant materials.

Product Wiring Diagram



Technical Parameters

Power Supply	180~250V
Standby Power Consumption	≤0.3W
Wireless Operating Frequency	433MHz
Wireless Transmit Power	~10dbm
Wireless Receiving Sensitivity	≤-105dbm
Maximum Load Current	10A
Maximum Operating Power Consumption	≤0.5W
Size of Suitable Mounting Box	77 * 77 * 38mm
Working Temperature	0~60°C
Relative Humidity	≤80%(Non-condensing)
Dimension(L * W * H)	86mm*86mm*34mm
Weight	106g

Notice

- 1) Please hire professional electrician to install or disassemble the Sockets.
The power must be cut off before installing or disassembling.
- 2) The Sockets are forbidden to be installed in outdoors and other humid environments.