

## Smart RF 2 Gang Curtain Switch - White

WR-7302-CS-W



LIVE SIMPLE  
LIVE SMART

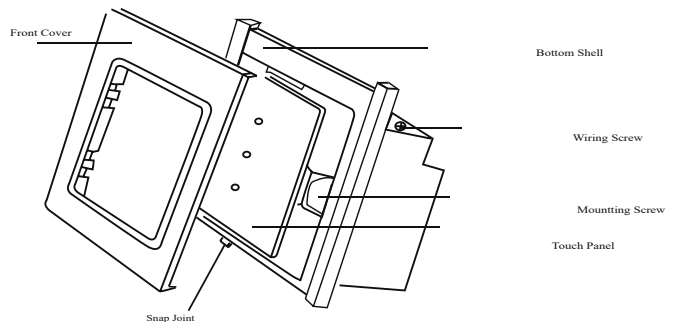
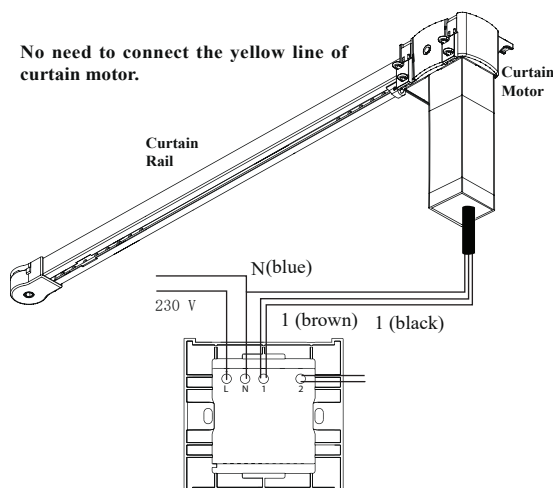
### Description

Wretro's Smart RF 2 Gang Curtain Switch is a four-way fully digital communication smart switch which is aesthetically designed for a dual panel curtain track. It also lets you control dual curtains with individual open, close and stop buttons through wretro's remote, mobile app and voice (Alexa). It is designed with a trendy touch screen panel that is sleek and elegant, meant for the millennial lifestyle.

### Main Features

- 1) Stylish Design.
- 2) Capacitive Touch.
- 3) Ultra-Low standby power consumptions.
- 4) Maximum Motor power: 200W each channel.
- 5) Smart Touch Switches can be operated via Touch/Remote Control/App/Voice.
- 6) Control Curtains (Open/Close/Stop).
- 7) New generation four-way communication device that can penetrate the walls with fast response speed.
- 8) High reliability and strong anti-interference capability.

### Product Wiring Diagram



## Technical Parameters

Power Supply	110 ~ 230V AC
Curtain Motor Compatibility	Min. 4 core wires
Standby Power Consumption	≤0.3W
Wireless Operating Frequency	433MHz
Wireless Transmit Power	~10dbm
Wireless Receiving Sensitivity	≤-105dbm
Mounting Box Size	77mm*77mm*38mm
Working Temperature	0~60°C
Environment Humidity	≤80% (Non-condensing)
Dimensions (L * W * H)	86mm×86mm×37mm
Weight	135g

### Please Note

- 1) Please hire professional electrician to install or disassemble the switches. The power must be cut off before installing or disassembling.
- 2) The switches are forbidden to be installed in outdoors and other humid environments.