

## Smart RF 1 Gang Dimmer Switch - White

WR-7201-DS-W



### Description

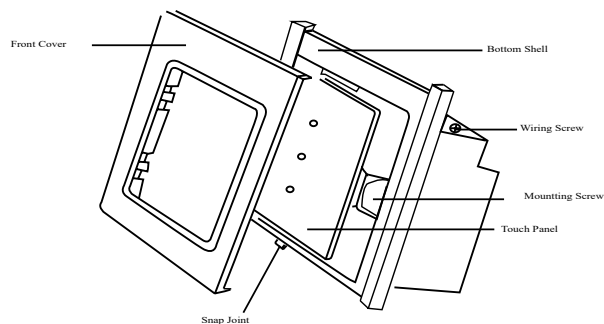
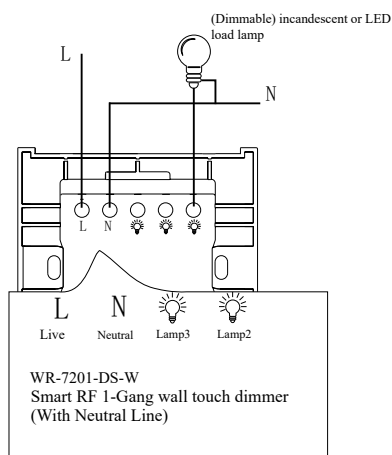
Wretro Smart RF 1 Gang Dimmer Switch is a four-way fully digital communication smart switch aesthetically designed for comfort and convenience. Smart RF 1 Gang Dimmer switch lets you control your lights with just one touch, wretro's remote and mobile app. Trendy touch screen panels are sleek and elegant meant for the millennial lifestyle.

LIVE SIMPLE  
LIVE SMART

### Main Features

- 1) Stylish Design.
- 2) Capacitive Touch.
- 3) Ultra-Low standby power consumptions.
- 4) Maximum load power: 100W.
- 5) Bright / Dimm Function.
- 6) Smart Touch Switches can be operated via Touch / Remote Control / App / Voice.
- 7) New generation four-way communication device that can penetrate the walls with fast response speed.
- 8) High reliability and strong anti-interference capability.

### Product Wiring Diagram



## Technical Parameters

Power Supply	110 - 250VAC
Standby Power Consumption	≤30mW
Wireless Operating Frequency	433MHz
Wireless Transmit Power	~10dbm
Wireless Receiving Sensitivity	≤-105dbm
Maximum Load Power	100W for LED lamps, 300W for incandescent lamps.
Minimum Load Power	8W
Mounting Box Size	77mm*77mm*38mm
Working Temperature	0-60 °C
Relative Humidity	≤80% (Non-condensing)
Dimensions (L * W * H)	86mm×86mm×37mm
Weight	132g

## Notice

- 1) Please hire professional electrician to install or disassemble the switches.  
The power must be cut off before installing or disassembling.
- 2) The switches are forbidden to be installed in outdoors, bathroom and other humid environments.