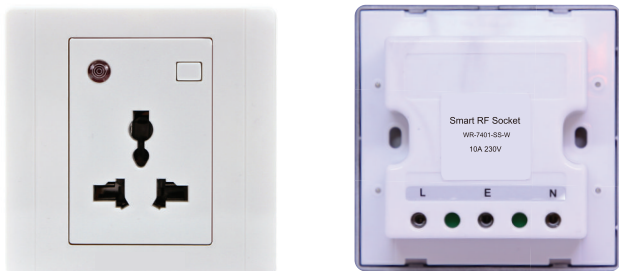


Smart RF Socket - White

WR-7401-SS-W



Description

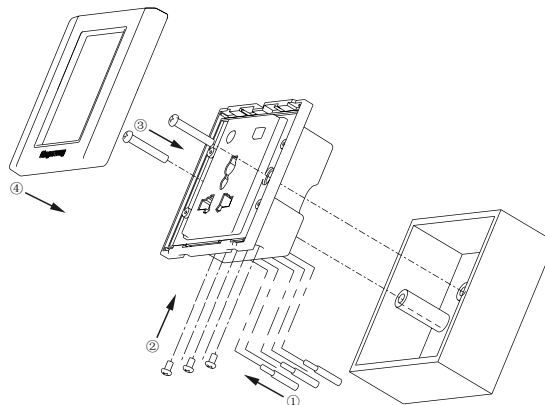
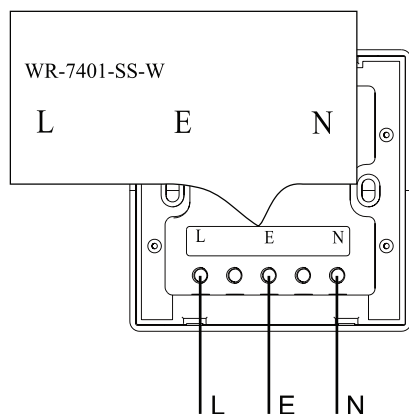
Wretro's Smart RF Socket is a four-way fully digital communication smart power socket which allows you to operate appliances connected to the socket by changing the 'on-off' state of the socket with the help of Wretro's remote, mobile app and voice (Alexa). You can schedule appliances like coffee machine, oxygen machine for fish tanks and so on.

LIVE SIMPLE
LIVE SMART

Main Features

- 1) On-Off control.
- 2) Maximum current: 10A .
- 3) New generation four-way communication device that can penetrate the walls with fast response speed.
- 4) High reliability and strong anti-interference capability.
- 5) Built in button for On/Off state of the Smart Socket.
- 6) Can be used with Smart RF remote control/App/Voice Control.
- 7) The shell is made by high quality environmental protection flame retardant materials.

Product Wiring Diagram



Technical Parameters

Power Supply	180~230V AC
Standby Power Consumption	≤0.3W
Wireless Operating Frequency	433MHz
Wireless Transmit Power	~10dbm
Wireless Receiving Sensitivity	≤-105dbm
Maximum Load Current	10A
Maximum Operating Power Consumption	≤0.5W
Size of Suitable Mounting Box	77 * 77 * 38mm
Working Temperature	0~60°C
Relative Humidity	≤80%(Non-condensing)
Dimension(L * W * H)	86mm*86mm*34mm
Weight	106g

Please Note

- 1) Please hire professional electrician to install or disassemble the Sockets.
The power must be cut off before installing or disassembling.
- 2) The Sockets are forbidden to be installed in outdoors and other humid environments.