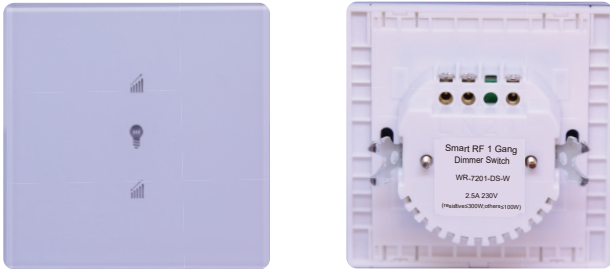


Smart RF 1 Gang Dimmer Switch - White

WR-7201-DS-W

Description



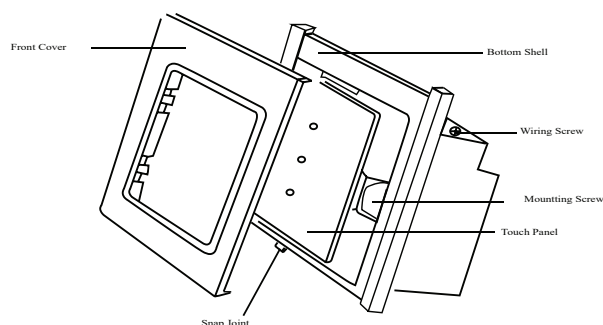
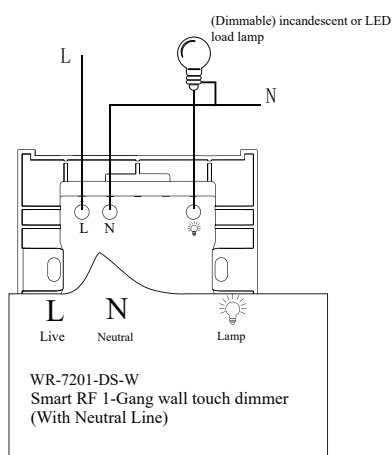
Wretro's Smart RF 1 Gang Dimmer Switch is a four-way fully digital communication smart switch aesthetically designed for comfort and convenience. Smart RF 1 Gang Dimmer switch lets you control your lights with dimming with just one touch through wretro's remote, mobile app & voice(Alexa). Trendy touch screen panels are sleek and elegant meant for the millennial lifestyle.

LIVE SIMPLE
LIVE SMART

Main Features

- 1) Stylish Design.
- 2) Capacitive Touch.
- 3) Ultra-Low standby power consumptions.
- 4) Maximum load power: 300W.
- 5) Bright/Dim Function.
- 6) Smart Touch Switches can be operated via Touch/Remote Control/App/Voice.
- 7) New generation four-way communication device that can penetrate the walls with fast response speed.
- 8) High reliability and strong anti-interference capability.

Product Wiring Diagram



Technical Parameters

Power Supply	110 - 230VAC
Standby Power Consumption	≤30mW
Wireless Operating Frequency	433MHz
Wireless Transmit Power	~10dbm
Wireless Receiving Sensitivity	≤-105dbm
Maximum Load Power	100W for LED lamps, 300W for incandescent lamps.
Minimum Load Power	8W
Mounting Box Size	77mm*77mm*38mm
Working Temperature	0-60 °C
Relative Humidity	≤80% (Non-condensing)
Dimensions (L * W * H)	86mm×86mm×37mm
Weight	132g

Please Note

- 1) Please hire professional electrician to install or disassemble the switches. The power must be cut off before installing or disassembling.
- 2) The switches are forbidden to be installed in outdoors, bathroom and other humid environments.