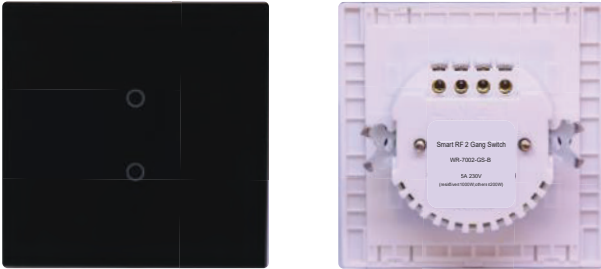


Smart RF 2 Gang Switch - Black

WR-7002-GS-B

Description



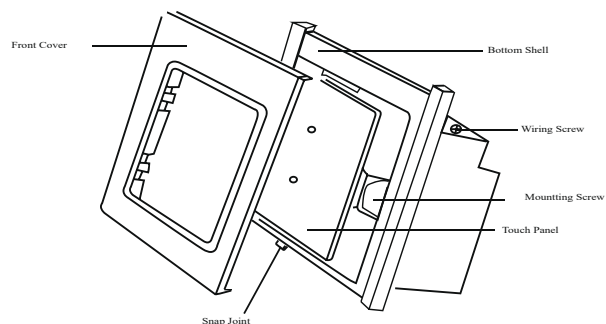
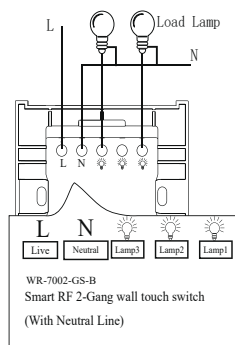
Wretro's Smart RF 2 Gang Switch is a four-way fully digital communication switch aesthetically designed for comfort and convenience. It allows you to connect two loads/appliance on a single switch which can also be controlled by Wretro's remote, mobile app & voice(Alexa). Capacitive touch screen panels are sleek & elegant meant for the millennial lifestyle.

LIVE SIMPLE
LIVE SMART

Main Features

- 1) Stylish Design.
- 2) Capacitive Touch.
- 3) Ultra-Low standby power consumptions.
- 4) Maximum load power: 1000W.
- 5) Smart Touch Switches can be operated via Touch/Remote Control/ App/Voice.
- 6) New generation four-way communication device that can penetrate the walls with fast response speed.
- 7) High reliability and strong anti-interference capability.

Product Wiring Diagram



Technical Parameters

Power Supply	110 - 230VAC
Standby Power Consumption	≤30mW
Wireless Operating Frequency	433MHz
Wireless Transmit Power	~10dbm
Wireless Receiving Sensitivity	≤-105dbm
Maximum Load Power	1000W (Maximum Load Current ≤5A)
Minimum Load Power	5W(Only for single-wire wiring method, double-wire wiring method without limit)
Mounting Box Size	77mm*77mm*38mm
Working Temperature	0-60°C
Relative Humidity	≤80% (Non-condensing)
Dimensions (L * W * H)	86mm×86mm×37mm
Weight	129 ~156g

Please Note

- 1) Please hire professional electrician to install or disassemble the switches. The power must be cut off before installing or disassembling.
- 2) The switches are forbidden to be installed in outdoors and other humid environments.