

Smart RF 2 Gang Switch - Black

WR-7002-GS-B



Description

Wretro Smart RF 2 Gang Switch is a four-way fully digital communication switch aesthetically designed for comfort and convenience.

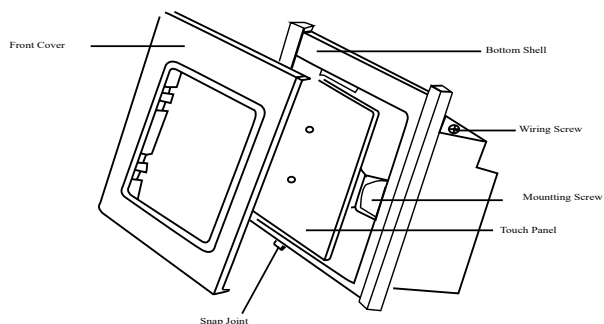
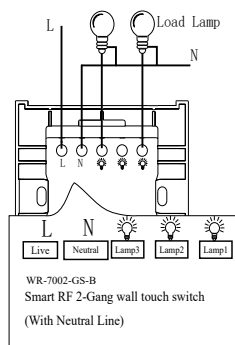
Smart RF 2 gang switch allows you to connect two appliance on a single switch which can also be controlled by Wretro's remote and mobile app. Trendy touch screen panels are sleek and elegant meant for the millennial lifestyle.

LIVE SIMPLE
LIVE SMART

Main Features

- 1) Stylish Design.
- 2) Capacitive Touch.
- 3) Ultra-Low standby power consumptions.
- 4) Maximum load power: 1000W.
- 5) Smart Touch Switches can be operated via Touch / Remote Control / App / Voice.
- 6) New generation four-way communication device that can penetrate the walls with fast response speed.
- 7) High reliability and strong anti-interference capability.

Product Wiring Diagram



Technical Parameters

Power Supply	110 - 250VAC
Standby Power Consumption	≤30mW
Wireless Operating Frequency	433MHz
Wireless Transmit Power	~10dbm
Wireless Receiving Sensitivity	≤-105dbm
Maximum Load Power	1000W (Maximum Load Current ≤5A)
Minimum Load Power	5W(Only for single-wire wiring method, double-wire wiring method without limit)
Mounting Box Size	77mm*77mm*38mm
Working Temperature	0-60°C
Relative Humidity	≤80% (Non-condensing)
Dimensions (L * W * H)	86mm×86mm×37mm
Weight	129 ~156g

Notice

- 1) Please hire professional electrician to install or disassemble the switches.
The power must be cut off before installing or disassembling.
- 2) The switches are forbidden to be installed in outdoors and other humid environments.