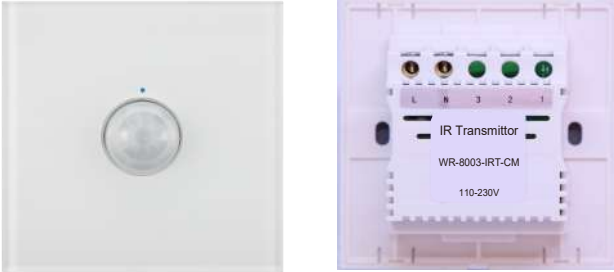


IR Transmittor - Wall / Ceiling Mount

WR-8003-IRT-CM



Description

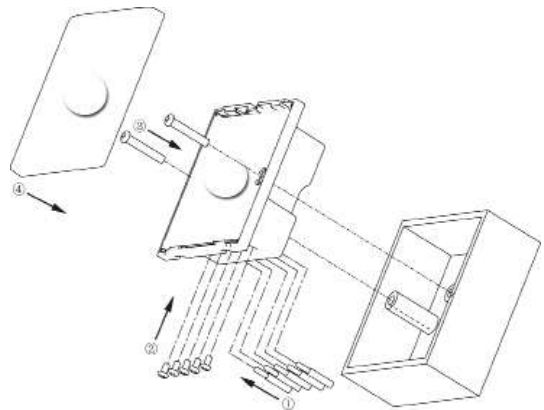
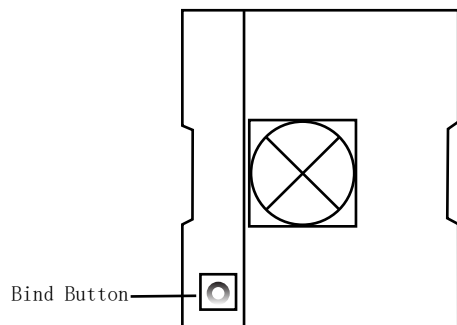
Wretro Wall /Ceiling IR Transmitter is a sleek device designed for mounting the device on roof /walls with its good aesthetic. It can learn and transmit the infrared signals from common IR controllers. Also the unconventional IR signals, such as the high frequency carrier (like 60KHZ infrared carrier), over length infrared signal. (from some air-conditioning remote controls).

LIVE SIMPLE
LIVE SMART

Main Features

- 1) With super strong IR learning and emitting ability, the adaptive IR carrier frequency is from 23 KHZ to 100KHZ, It can learn and transmit the infrared signals from common IR controllers.
- 2) Owns the continuous learning function, multiple IR device signals can be learnt into one Control command.
- 3) IR extension function: Via the IR extension cable, the infrared can be extended to the place where the signal is not easy to reach.
- 4) 210° IR horizontal emission angle.

Product Wiring Diagram



Technical Parameters

Power Supply	AC 90~250V
Standby Power Consumption	0.5W
Maximum Power Consumption	2.0W
Wireless Operating Frequency	433MHz
Wireless Transmit Power	~10dbm
Wireless Receiving Sensitivity	≤-105dbm
IR Control Range	~15M
IR Emmission Angle	Horizontal ≤160°, perpendicular≤160°
IR Operating Wavelength	880~960nm
IR Carrier Frequency	23k~100K HZ
Working Temperature	0~40°C
Dimensions (L * W * H)	86mm*86mm*37mm
Weight(without power supply)	135g

Notice

- 1) Please hire professional electrician to install or disassemble the switches.
The power must be cut off before installing or disassembling.
- 2) This Wall /Ceiling IR Transmitter is forbidden to be installed in outdoors, bathroom and other humid environments.