

## 24A SWITCH

### Description

Wretro 24A Switch is a three-way fully digital communication switch aesthetically designed for comfort and convenience. 24A Switch allows you to operate Geyser, Room heater, large Oven, 2hp motor, A.C.(upto 3 Ton) by physical touch, mobile app, and voice (Alexa and Google Home). Trendy touch screen panels are sleek and elegant meant for the millennial lifestyle.

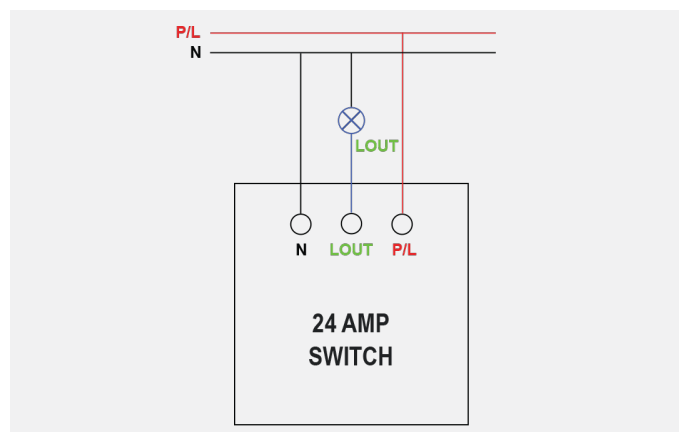
### Main Features

- Stylish Design.
- Capacitive Touch.
- Ultra-Low standby power consumptions.
- Resistive Load: 3500W.
- Smart Touch Switches can be operated via Touch/ App / Voice.
- New generation three-way communication device that can penetrate in Modular electrical plates with the fast response speed.
- High reliability and strong anti-interference capability
- Tested Switching Cycles: 1,00,000

### Technical Parameters

Power Supply	110 - 250V AC,50/60Hz
Standby Power Consumption	≤30mW
Wireless Operating Frequency	2400MHz
Wireless Transmit Power	~20dbm
Incandescent Lamp	3500W
Dimensions (L * W * H)	44mm/49mm/50mm
Working Temperature	10° to 70°C
Weight :	75 grams

### Product Wiring Diagram



### Please Note

- 1) Please hire professional electrician to install or disassemble the switches.
- 2) The power must be cut off be for installing or disassembling.
- 3)The modules are for bidden to be installed in out door sand other humid environments.